



Engineered Listening Environments

*Elegant. Accurate. Brilliant.™*

## ELiTE Custom Motorized Drapery Details and Specifications

The ELiTE Custom Motorized Drapery system offers the home theater specialist the opportunity to add the final theatrical experience to his finished home theater. Auralex now offers a one-stop place to order both the motorized drapery track and the theater drape.

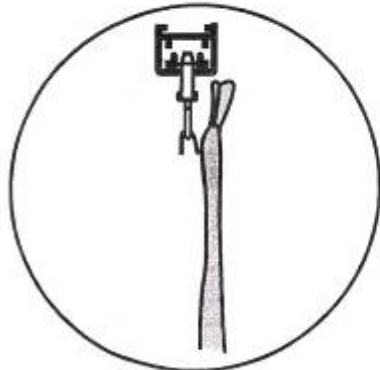
The standard velvet theater drape is available in 6 standard designer colors: Dark Burgundy, Royal Blue, Forest Green, Beige, Black and Pewter. The drape is made in pinch pleat design at two times fullness. The theater drape is used with a custom drapery track allowing for straight as well as curved tracks. The drapery track can be made for a traditional center opening, as well as one way, off set and multiple draw configurations.



The draperies are unlined and made from 100% cotton fabric weighing 21 oz./yard and are Class A flame resistant.

Direct drive drapery tracks are architectural tracks designed so that the draperies hang below the track. The carriers are designed to roll on their two wheels inside the carrier channels of the track for frictionless travel. When the drapery is hung above the track, the wheels do NOT roll within the channels resulting in unwanted stress and friction causing the system to be unable to operate in its intended way. When the drapery is correctly hung below the motorized track system there is no additional stress on the motor system.

Correct  
With drapery  
Hung BELOW track



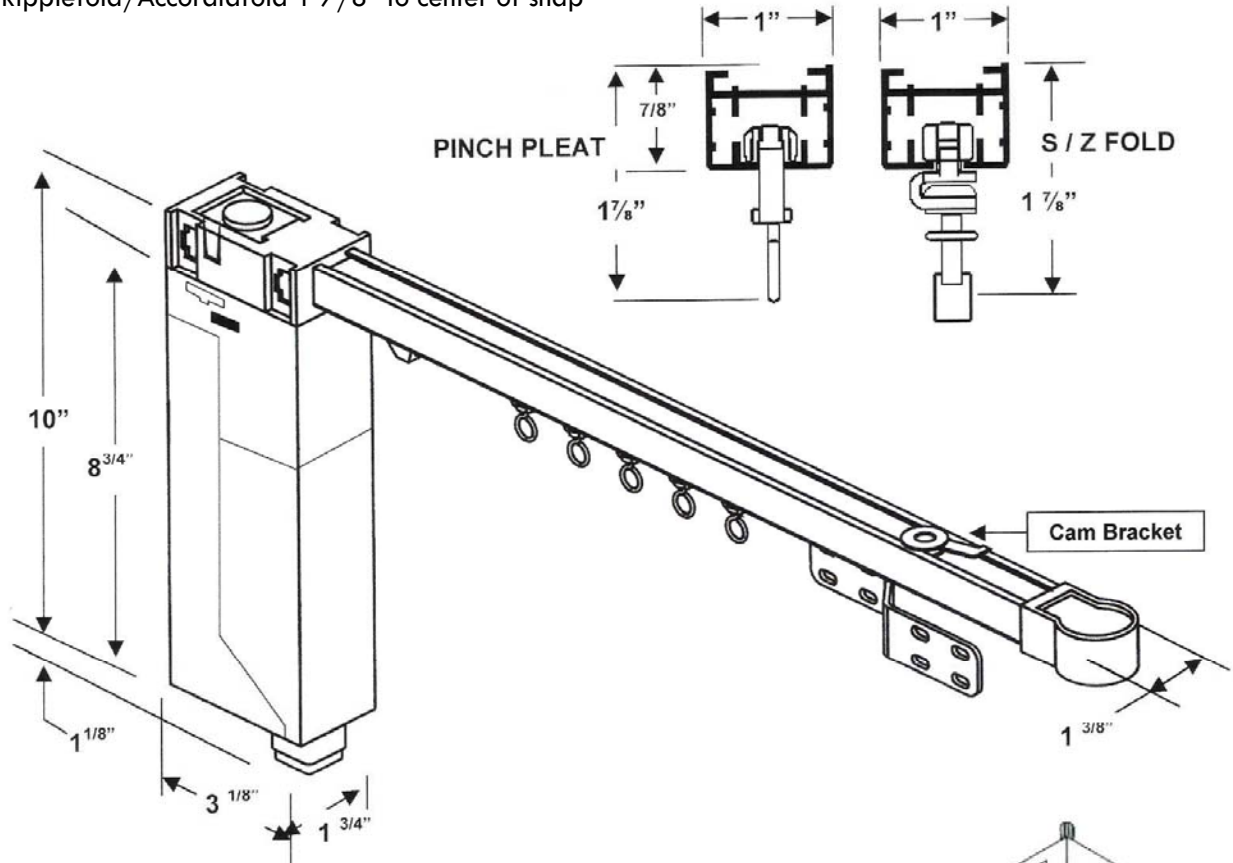
Incorrect  
with drapery  
hung ABOVE track



# Motorized Drapery Track

Allowed for Draperies

- Pinch pleat 1 7/8" to inside bottom of ring
- Ripplefold/Accordiafold 1 7/8" to center of snap

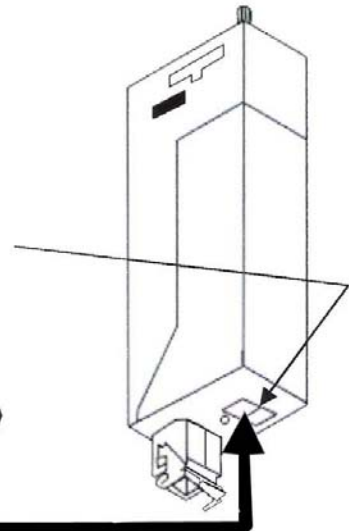
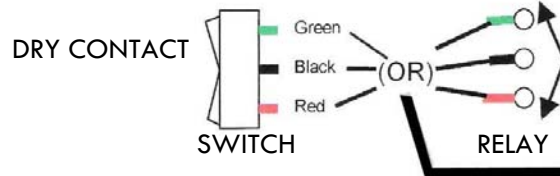


## Am-Source 1103HD Drapery Motor

Built-in dry contact control interface allows direct access to all Home Automation and Home Theater automated control systems.

Two standard, 4-conductor telephone plug receptacles (jacks) for single or group control. Group control requires AT464 splitter.

Connection to Home Automation and Home Theater Control Systems via Cat-5, 5e or 6.

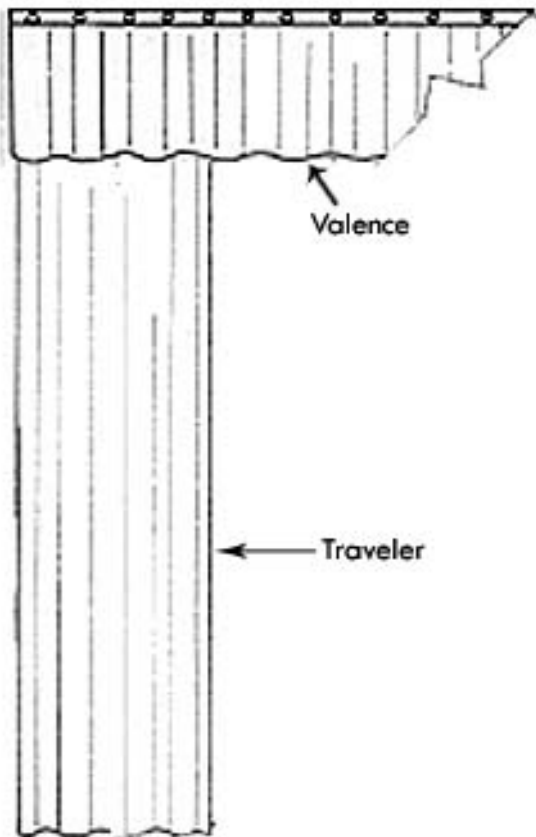


### Additional Motor Features:

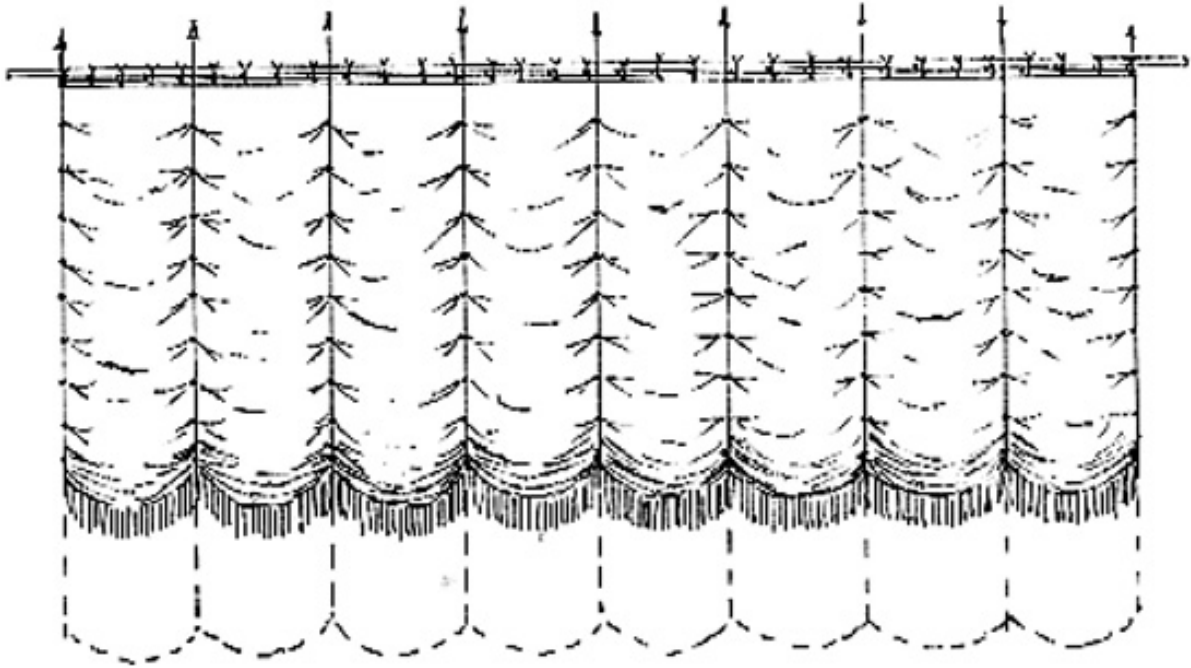
- UL approved motor.
- Compatible with all automated control systems.
- Built-in thermal overload protection.
- Motor may be plugged directly into standard wall receptacle.
- Easy limit setting that is protected during power outages.
- 1-year warranty.
- Track systems can be curved or bent on both inside and outside radii.
- Dry contact operation from multiple individual switches is possible without additional control devices.
- Motor may be programmed to operate from momentary or maintained switching.
- Available with wireless remote control.
- Motor direction may be reversed without changing any wiring.
- Motor may be wired in parallel.

## Drapery options

Each ELiTE Custom Motorized Drapery system comes standard with a motorized traveler and valence:



An add-on option includes a motorized Austrian drape:



Notes:

- A template may be required for drape track assembly.
- All Auralex quoted pricing includes unlined pinch pleat draperies and motorized track including mounting brackets. Finished width of draperies will be 15" more than track widths which includes 5" returns and 3 1/2" overlaps based on center opening.
- Decorative valance comes in length of up to 20" and is board-mounted. The valance uses the same fabric and colors as the Theater Drape.
- Decorative fringe (as depicted above) is an option. Fringe can be either vertical (running down the leading edges of the two drapery panels), or horizontal (running across the bottoms of the drapery panels), or both. Fringe is also available for the valance. Fringe is available in gold, silver and black.